

# WATER LEVEL INDICATOR

SUITABLE FOR PLASTIC AND METAL WATER TANKS WITH A MAXIMUM DEPTH OF 280 mm

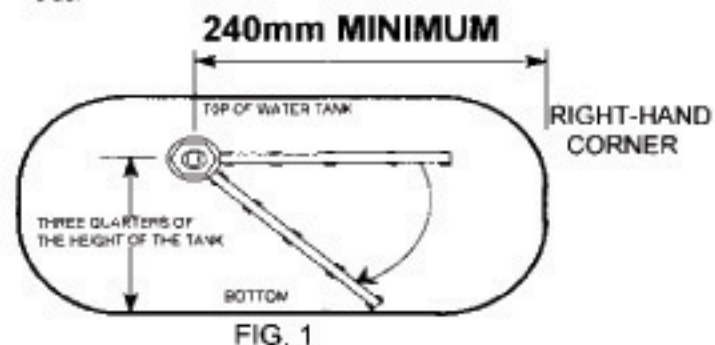
THE R. V. ELECTRONICS WATER LEVEL INDICATOR HAS BEEN DESIGNED FOR EASY INSTALLATION. THE SENDER UNIT IS INSTALLED IN THE SIDE OF THE WATER TANK, THEREFORE, IT IS NOT NECESSARY TO REMOVE THE WATER TANK FROM ITS MOUNTINGS, HOWEVER, SOME CARE SHOULD BE TAKEN WHEN CHOOSING THE POSITION AND FITTING OF THE TOP GAUGE UNIT. CHOOSE A POSITION TO PLACE THE WATER GAUGE WHERE IT IS POSSIBLE TO FEED THE SENDER WIRING LOOM UP THROUGH THE WALL CAVITY OR CUPBOARD TO THE GAUGE. THE WIRE LOOM LENGTH FROM THE GAUGE TO SENDER UNIT IS 2.5 METRES LONG, SO THE DISTANCE BETWEEN WHERE THE GAUGE IS TO BE FITTED AND THE SENDER UNIT MUST BE LESS THAN 2.5 METRES. SHOULD A GREATER DISTANCE THAN THIS BE REQUIRED A 2.5 METRE EXTENSION CORD IS AVAILABLE. PART NUMBER: WGB

## INSTALLATION INSTRUCTIONS

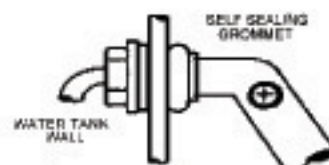
1. Drain all the water from the water tank.
2. Choose the side of the water tank closest to where the water gauge is to be fitted ( 2.5m cord) (See step 7 before making this decision.)
3. Mark a position not less than 240mm in from the right-hand corner of the water tank and 3/4 up from the bottom of the tank. (refer fig. 1) Do not position on sharp bends or curves.

### CAUTION

Check that there will be no obstructions (centre strengthening recesses) in the middle of the tank which will prevent the sender unit from rotating freely to the bottom of the tank when it is installed with the arm facing toward the right hand side.



4. Using a 22mm (7/8 in) hole saw or spade drill, drill at slow speed, a hole in the water tank. Remove the burrs from around the hole.
5. Insert the sender unit through the hole with the arm facing the right-hand corner. Check the end of the sender arm is touching the bottom of the tank. Tighten the nut to finger tight, then approx. one turn with a spanner. The self sealing grommet should now seal the hole. (Do not over tighten)



6. Flush all debris from the water tank.
7. Choose a position to place the water gauge where it is possible to feed the sender wiring loom through the wall cavity or cupboard to the gauge. Using a 16mm hole saw, carefully drill a hole in the internal wall in the centre of where the gauge is to be fitted. Be careful not to drill into wall beams and existing wiring. Alternatively you may choose to cut a square hole with a blade knife, thus reducing the risk of cutting through wires behind wallpanelling. Feed the wiring loom up through to the water gauge and connect the plug into the back of the gauge. Remove peel off backing from the adhesive tabs provided and attach the gauge to the wall.
8. Fill the water tank and check the operation of the water gauge by pressing the button labeled PUSH. As the water rises the green lights will illuminate. The red reserve light will illuminate when the water level drops below 1/4 full.

For battery replacement use a small flat screwdriver and insert it into the slots located on both sides of the water gauge unit and lever the two halves apart. Replace battery with a 12 volt A23 battery.

### WARNING

DO NOT UNDER ANY CIRCUMSTANCES USE THIS WATER LEVEL INDICATOR IN FLAMMABLE LIQUIDS. THIS PRODUCT IS FOR USE IN WATER ONLY. If you have any questions regarding this product, please call (08) 8395 9300.

Another quality product from

[www.rvelectronics.com.au](http://www.rvelectronics.com.au) EMAIL: [rvelect@bigpond.net.au](mailto:rvelect@bigpond.net.au)  
HEAD OFFICE: 4A VISOR COURT, HOLDEN HILL, SOUTH AUSTRALIA 5088  
PHONE: (08) 8395 9300 FAX: (08) 8395 9400

MADE IN AUSTRALIA